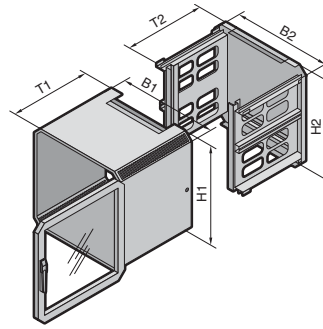


Wall-mounted enclosures, based on Rittal QuickBox, 12/15 U, Ergoform-S lock system



With Ergoform-S lock system, suitable for the installation of semi-cylinders with an overall length of 40 or 45 mm (to DIN 18 252), lock and push-button inserts. Fitted as standard with 3524 E lock insert.

- The unlocked handle folds down forwards, and the lock is opened by swivelling.
- For wall-mounting with left-hand door hinge, the handle system may be fitted rotated through 180°.
- Internal cover lock, accessible when the door is open.

Material:

Wall mounting plate with mounting brackets:
2.0 mm sheet steel
Enclosure cover:
1.0 mm sheet steel
Door: Glazed door with sheet steel frame and 3 mm toughened safety glass

Surface finish:

Enclosure:
Powder-coated, RAL 7035

Supply includes:

Wall section:
Pre-assembled mounting bracket, cable clamp rail top and bottom, 482.6 mm (19") punched rails, infinitely depth-variable.

Enclosure cover:
consisting of base and cover tray with vent slots, brush strip for cable entry at the top/bottom, glazed door with Ergoform-S handle and security lock.

Property rights:

German patent
no. 198 11 711

Detailed drawing,
available on the Internet.

U		Packs of	12	15	Cat. 32, page
Enclosure cover	Width (B1) mm		600	600	
	Height (H1) mm		628	762	
	Depth (T1) mm		600	600	
Wall section	Width (B2) mm		595	595	
	Height (H2) mm		621	755	
	Max. installation depth (T2) mm		547	547	
Model No. DK		1	7502.436	7502.446	
Accessories					
Mounting angles, 482.6 mm (19")		2	7502.203	7502.204	1092
Solid gland plate		2	7502.310 ¹⁾	7502.310 ¹⁾	1052
Wall mounting bracket, 10 mm		4	2508.010	2508.010	975
Wall mounting bracket, 40 mm		4	2503.010	2503.010	975
Combination rails for enclosure width		6	7502.304	7502.304	1063
Combination rails for enclosure depth 500/600 mm		6	7502.304	7502.304	1063
Slide rails for enclosure depth 500/600 mm		2	7492.400	7492.400	1098
Earthing set		1	7502.260	7502.260	1036

¹⁾ Delivery times available on request.



Semi-cylinder

to DIN 18 252.
Model No. see Cat. 32,
page 957.



Lock and push-button inserts

Model No. see Cat. 32,
page 947, 948.