

Support arm system CP-C

Aluminium



Wall/base mounting bracket, small, CP-C

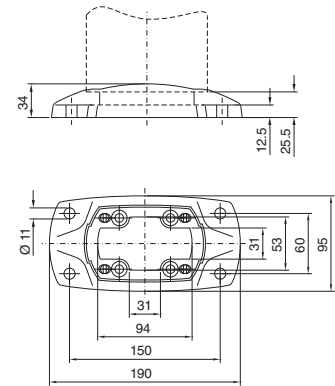
For rigid attachment of the support arm system to vertical or horizontal surfaces. For the configuration of compact support arm systems.

Material:
Cast aluminium

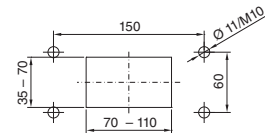
Supply includes:
Seals, adjusting screws for support section and self-tapping screws for CP-C support section attachment.



Colour RAL	Weight kg	Model No. CP
7035	0.5	6072.200



Mounting cut-out



Support arm system CP-C



Mounting component for support arm system CP-C

For external mounting of a signal pillar on the plastic cover of the support arm components.

Colour:
RAL 7024 (graphite grey)

! Also required:

- 1) Connection adaptor SG 2372.120, see Cat. 32, page 1125.
- 2) Connection component SG 2368.000, see Cat. 32, page 1126.



For	Suitable for signal pillar		Model No. CP
	LED compact	modular	
Angle coupling 90° CP 6071.200	■ ¹⁾	■ ²⁾	6073.000
Angle piece 90° CP 6071.400			
Intermediate hinge CP 6071.800			
Wall-mounted hinge CP 6072.500			
Top-mounted joint CP 6072.600			

