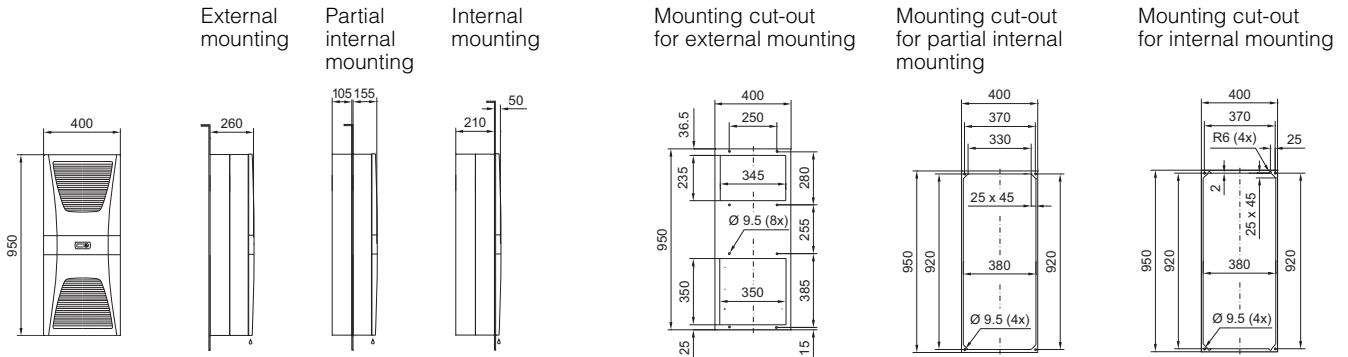


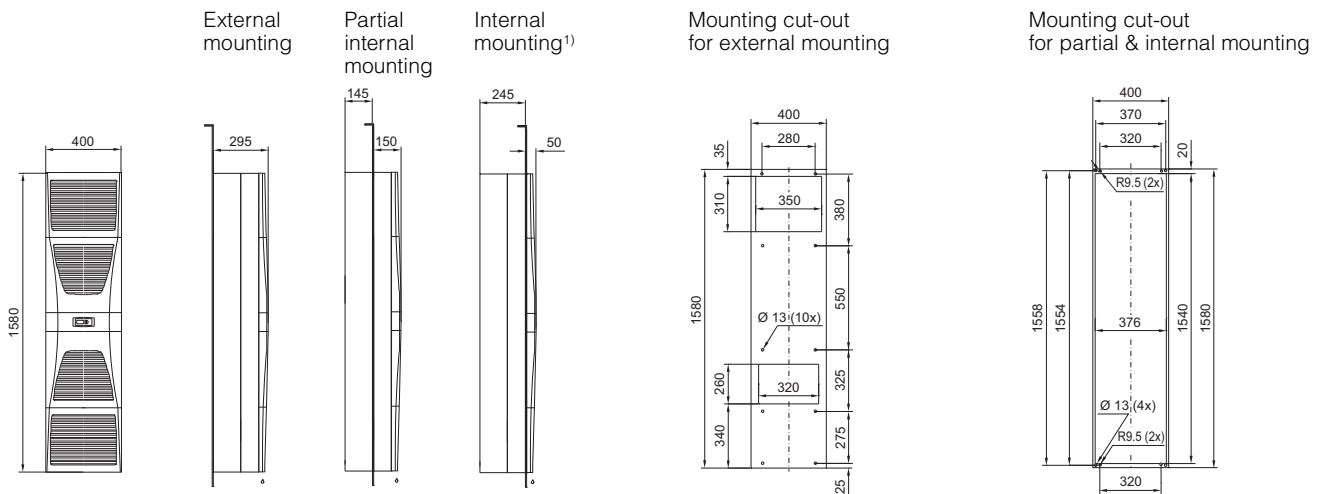
Technical details

Wall-mounted cooling units

Useful cooling output 1000 W Page 61



Useful cooling output 2000 W Page 61



1) For installation in 600 mm wide doors, move the mounting cut-out from the centre of the door to the hinged side by at least 10 mm.

Useful cooling output 500 W Page 62

